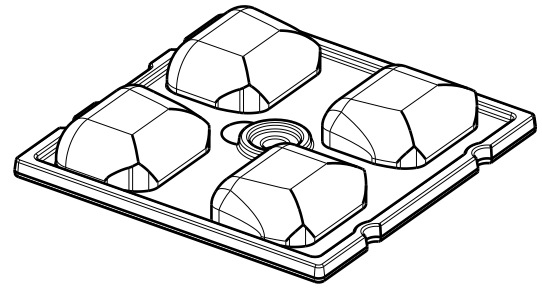
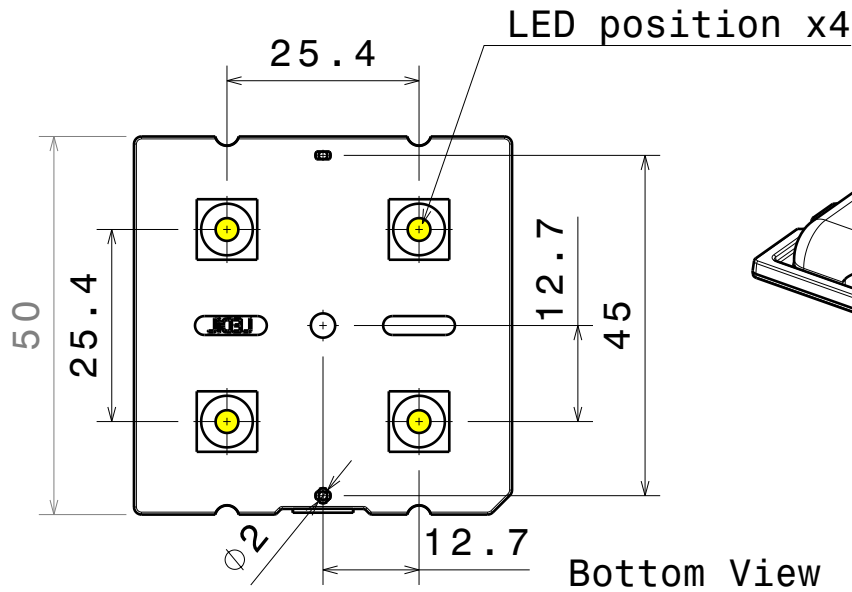
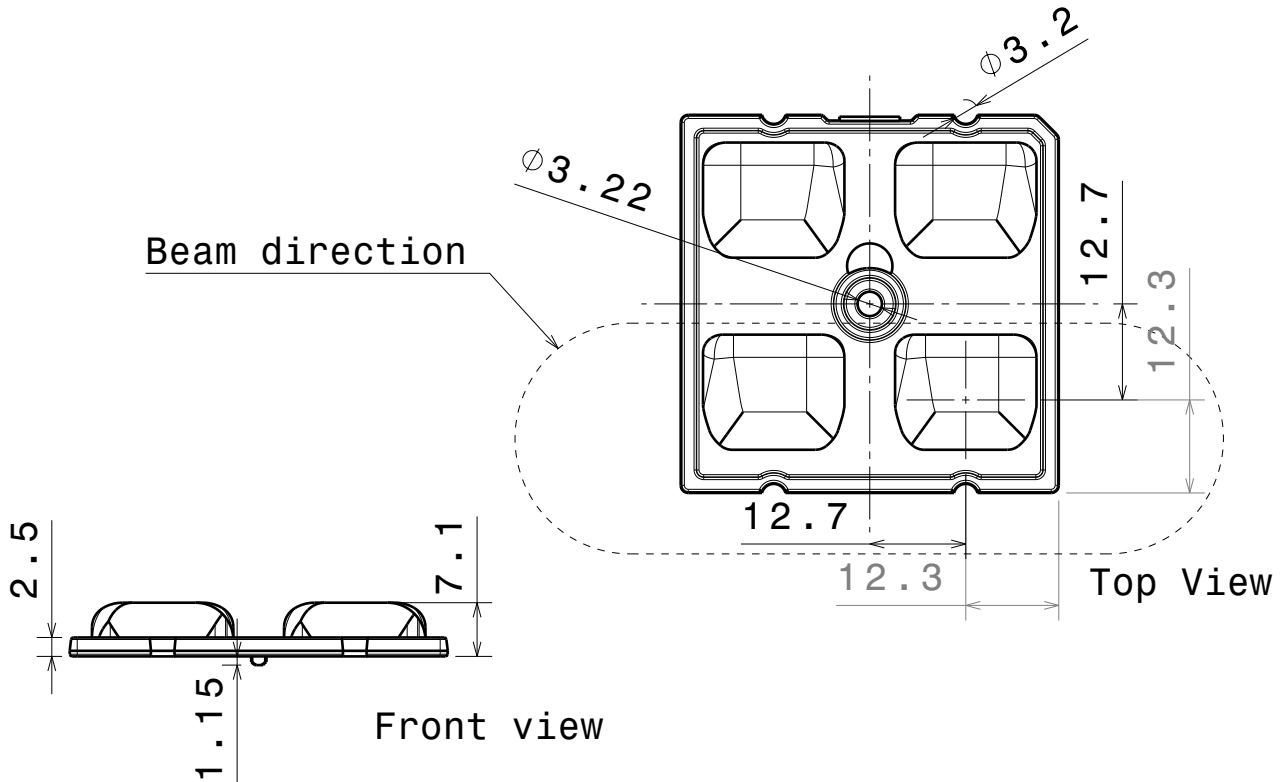


DATE
02.03.2022



Isometric View



PART	TYPE	MATERIAL	COLOR / COATING
C18604_AMBER-2X2-ME	LENS	PMMA	Amber

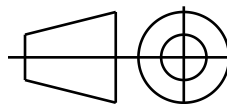
MECHANICAL DRAWING

PRODUCT
AMBER

LEDiL

Plastic moulding general tolerances according to DIN 16901-130 and applies if not otherwise shown in the drawing. Silicone moulding general tolerances according to ISO 3302-1 Class M3 and applies if not otherwise shown in the drawing.

FIRST ANGLE PROJECTION:



This drawing is the property of LEDiL Oy. It may not be copied or otherwise distributed without prior written permission from LEDiL Oy.

SCALE 1:1

WEIGHT -

A4 SHEET 1/1

D

A